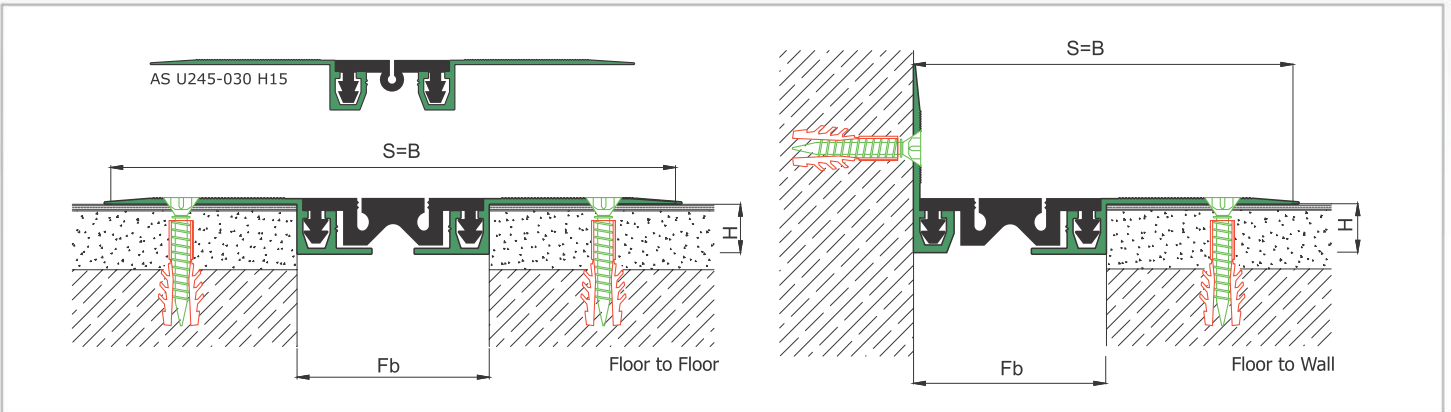
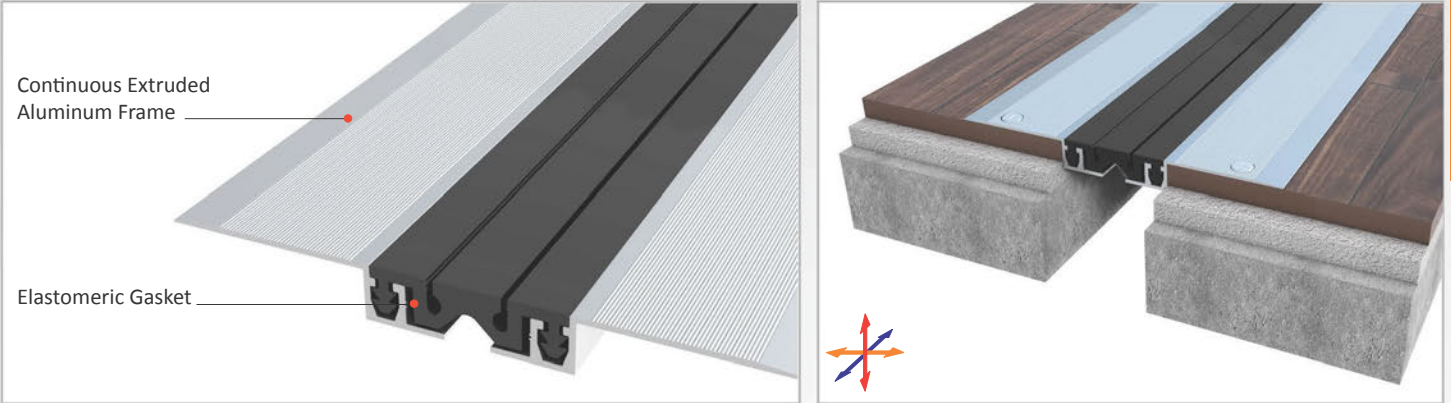




AS U245 surface mounted floor profile is applicable to all types of floors and load bearing capacity is designed for pedestrians. Push-down elastomeric gasket can quickly be placed into the slot and changed without demounting the profile. Smooth type gasket is available for 30 & 50 mm gaps but with less movement capability compared to grooved type. Striated surface ensures antislip and chamfered design provides a smooth transition.

- Application Areas** : Indoor & Outdoor / Floor
- Ideal for** : Residences, Offices etc.
- Material** : Mill Finish Aluminum (Anodizing optional), TPE Gasket
- Aluminum Alloy** : 6063 AA-USA / EN AW 6063
- Optional Supplies** : Fire Barrier, Waterproof EPDM membrane, Vapour Barrier

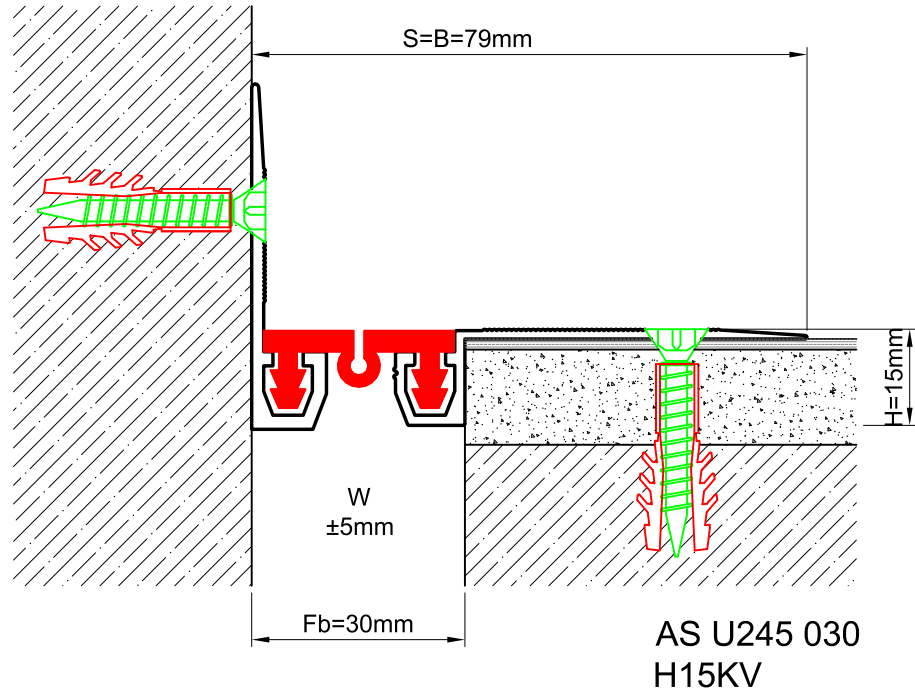
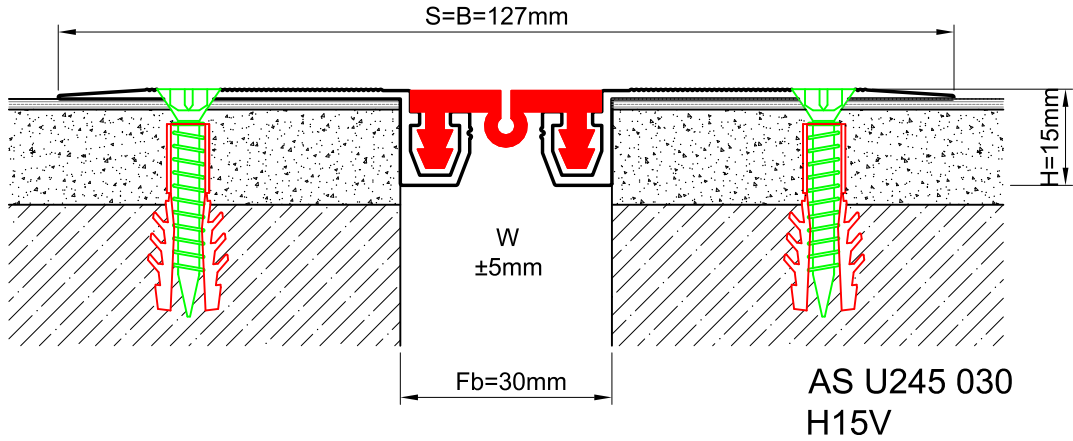


\* Visuals are representative and the profile configuration may differ depending on the characteristics requested.

GASKET COLORS    **BLACK**    GREY    BEIGE    Custom Colors available.

LOCATION	MODEL	GAP (Fb) mm	HEIGHT (H) MM	OVERALL WIDTH (B) mm	VISIBLE WIDTH (S) mm	MOVEMENT (W) mm	LOAD CAPACITY	STANDARD LENGTH (mt)
Floor to Floor	AS U245-030	30	15	127	127	± 5		3
	AS U245-050	50	15	147	147	± 7		3

Note: Please ask for different sizes



Profil No Profile Number	AS U245 030	AS A245 030K
Fb (mm)	30	30
H (mm) yaklaşık approx.	15	15
W± (mm) yaklaşık approx.	±5	±5
Renk Color	Alüminyum: Natürel, Fitiller: Siyah, gri, diğer Aluminum: Natural, Inserts: Black, grey, others	
Malzeme Material	Alüminyum, TPE Termoplastik Elastomer Aluminum, TPE Thermoplastic Elastomer	
Standart Uzunluk Standard Length	3	
Yükleme Kapasitesi Load-Bearing Capacity	